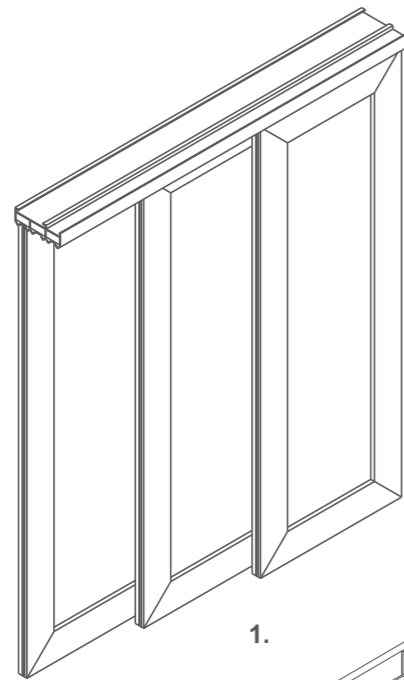


Contour Sliding Panels

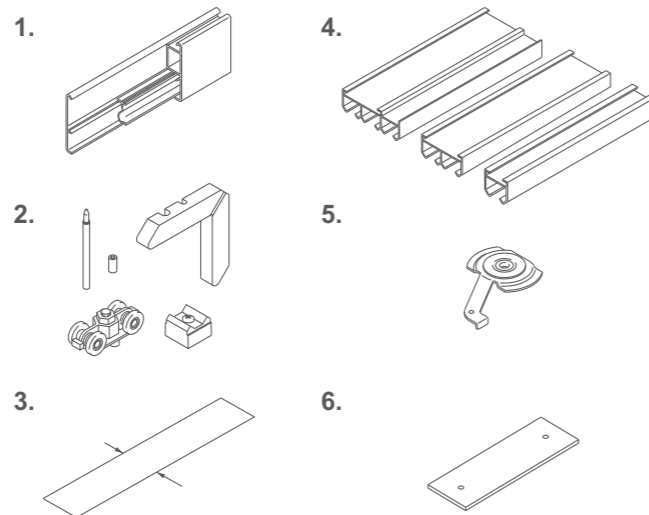
Panel size	from 150mm x 150mm to 1400mm x 3200mm
Panel surface	4.5sq metres (max)
Panel weight	600gr/m (without fabric)
Assembled panel section	47mm x 18.5mm
Fabric thickness*	from 0.01mm to 1.5mm * according to the level of flexibility
Standard Colour of Frame	Aluminium



Structure



1. Profile set Contour Panel System
2. Kit for Contour Panel System
3. PVC profile
4. 1, 2, 3 way rails
5. Cam lock
6. Joint for rail



Contour Sliding Panels

Innovative, stylish and beautifully designed





Contour Sliding Panels

A special panel system with an aluminium frame. It is composed by two profiles: a base profile and a section with a snap-shut in which you can use any kind of fabric or material with the same flexibility (roller fabrics, batique...etc.). The fabric remain perfectly tensioned. It can be fixed with cables on the ceiling or slide into a 1, 2 or 3 ways channel panel blind profile.



innovative, stylish and beautifully designed

An innovative system for architectural and interior decorating field. It is a modern solution. Thank to its refined and trendy design it adds style to your windows improving comfort. Contour Frame System is more than a simple frame. It is flexible and easy to assemble. It has a wide range of application possibilities. You can use it like a simple decorative element, drapery, wall covering, sun shielding, protective screen, room divider and stage backdrop. Dimensional stability is guaranteed by the aluminium frame. It gives space to fantasy.

- ◆ Comfort and energy saving
- ◆ Better soundproofing in your rooms with our "SK20" acoustic fabric
- ◆ Create privacy in the rooms
- ◆ Furnish your home with style using a refined system
- ◆ Optimize space, create new environments
- ◆ Dividers for loft and open spaces
- ◆ Room dividers for lofts and restaurants
- ◆ Room divider: day/night
- ◆ Solar protection for fitness centres and meeting rooms

